



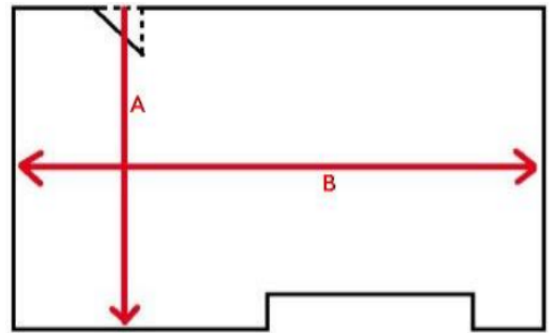
5 St Machar Drive
Aberdeen
AB24 3YJ
01224 489955
carpetinc.co.uk
info@carpetinc.co.uk

Carpet Measuring Guide

Please make sure to take your measurements in metric (m/cm) and to add 5cm to the length and width of the carpet or stair tread.

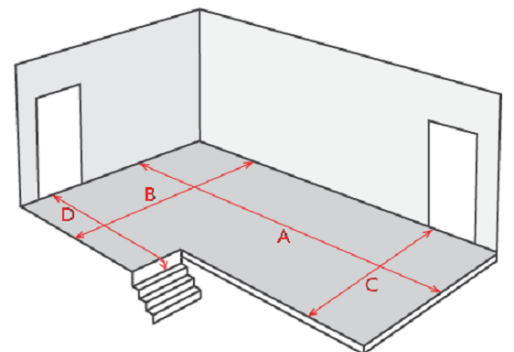
Rooms

Measure wall to wall at the widest and longest points, including under doors and windows.



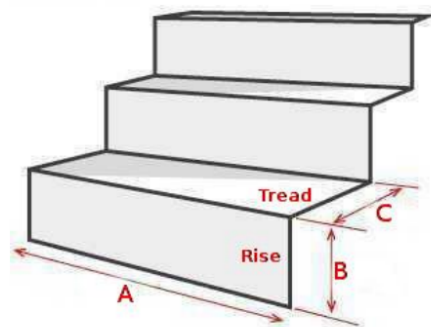
Landings and Hallways

Measure wall to wall at the longest and widest points. Measure from under doors to walls at widest point and from under door to the top stair riser.



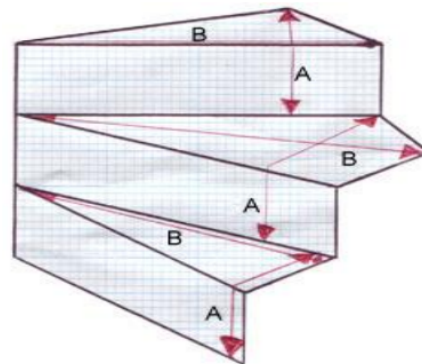
Straight Stairs

Measure the stairs at the widest point, on the rise, the stair tread. Count the number of stair treads (and make sure they are all the same size).



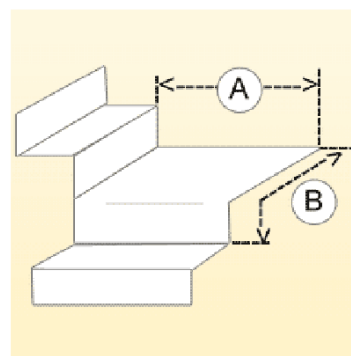
Turning Stairs

Measure the width of each tread, and the whole stair rise and tread. Count the number of stair treads.



Half Landings

Measure the width of the landing including the rise of the stair above. Measure the tread of the landing including the rise of the stair below.



New
carpets from
£5.99m²

Used
carpets from
£15

Thank you for using our measuring guide. Once you have your measurements, please contact us and we'll prepare your quotation free of charge.

Instant Neighbour
5 St Machar Drive
Aberdeen
AB24 3YJ
01224 489955
carpetinc.co.uk
info@carpetinc.co.uk